

C DC PUMPS CARRY

**MADE
IN
ITALY**

EN. Pump transport system. Consists of a sturdy handle that allows you to move pumps safely. The pump can be fitted with a kit to fully and quickly fill the handle, hose, cables and nozzle.

ES. Sistema para transporte de bombas. Consiste de un mango robusto que permite desplazar las bombas con seguridad. La bomba se puede equipar con un kit para la operación completa y rápida de repostaje usando el mango, tubo, alambre y la pistola

RU. Система транспортировки насосов. Представляет собой прочную ручку, которая позволяет безопасно перемещать насосы. Насос может быть оснащен комплектом быстрой заправки, в который входит ручка, труба, кабели и пистолет.

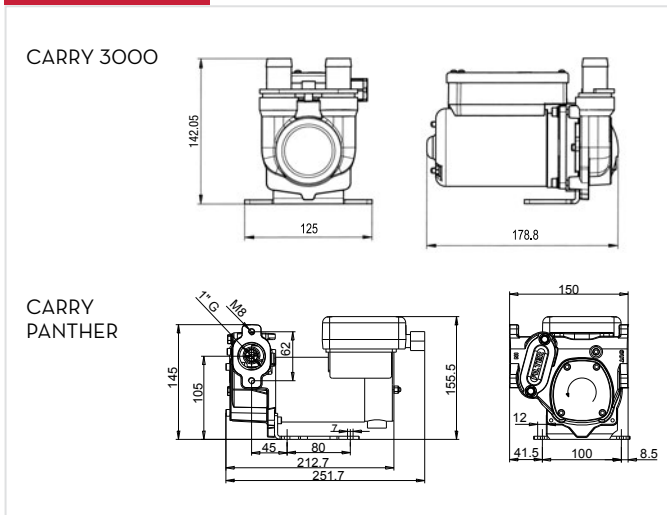
PERFORMANCE

- Flow rate up to 80 l/min
- 12/24 V operation
- Duty cycle 30 min.



- Caudal de hasta 80 l/min.
- Versiones 12V y 24V
- Ciclo de trabajo de 30 min.

- Расход до 80 л/мин
- Функционирование от источника 12/24 В
- Рабочий цикл 30 мин.

DIMENSIONS



PRODUCTS' RANGE WEIGHT AND PACKAGING

Code	Weight		Packaging		N. Boxes/ Europallet	
	kg	lbs	mm	pcs/ box		
F0022300C	4,2	9,3	260x235x164	1	84	120
F0022400C	4,2	9,3	260x235x164	1	84	120
F00223260	4,2	9,3	260x235x164	1	84	120
F00224240	4,2	9,3	260x235x164	1	84	120
F0034004B	9,1	20,1	345x175x255	1	60	84
F0034104C	9,1	20,1	345x175x255	1	60	84

PUMPS

ANTIFREEZE

BIO DIESEL

DIESEL

FOOD

GASOLINE

GREASE

KEROSENE

OIL

AdBlue®

WATER

WINDSCREEN

Flow-rate

up to
70 l/min
(up to 18 gpm)



PIUSI[®]

CARRY 3000 inline



With 2 m cable length

CARRY PANTHER



With cable length 2 m

DISPENSERS

PUMPS

METERS

NOZZLE METERS

NOZZLE

SPECIAL EQUIPMENTS

FLUID MONITORING

ACCESSORIES

FILTERING

PRODUCTS' RANGE TECHNICAL DATA

Code	Description	Fluids type	Flow-rate		Voltage			Fuse Amp.	rpm	Duty cycle min.	Max working pressure bar.	Input Output BSP	On/off switch
			l/min	gpm	DC Volt	Power Watt	Amp. max.						
F0022300C	Carry 3000 12V	D	50	13	12	300	22	25	2900	30	1,5	-	YES
F0022400C	Carry 3000 24V / 12V	D	50/30	13/6	24/12	310/80	13/6,5	15	2900/1500	30	1,5	-	YES
F00223260	Carry 3000 inline 12V	D	50	13	12	300	22	25	2900	30	1,5	3/4"	YES
F00224240	Carry 3000 inline 24V	D	50/30	13/6	24/12	310/80	13/6,5	15	2900/1500	30	1,5	3/4"	YES
F0034004B	Carry Panther 12V	D	56	15	12	420	35	-	2900	30	-	1"	YES
F0034104C	Carry Panther 12/24V	D	35/70	9/18	12/24	600/200	25/16	-	3500/1800	30	-	1"	YES